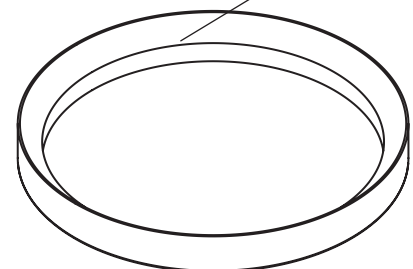
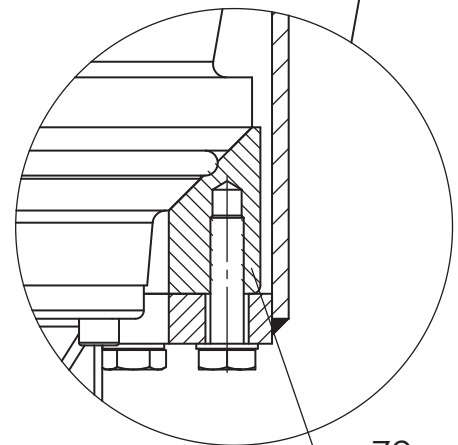
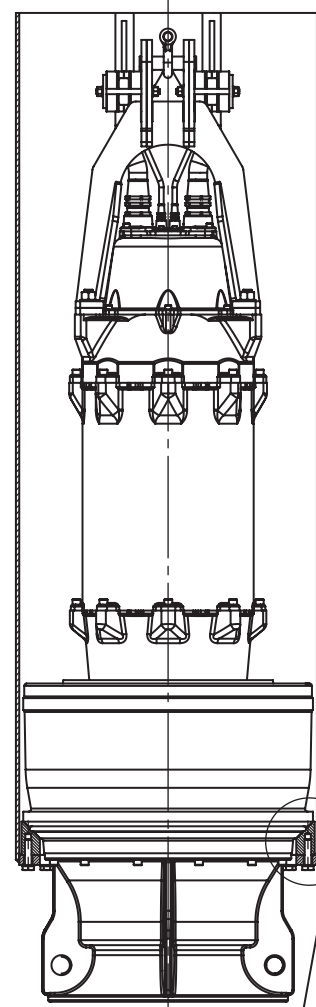
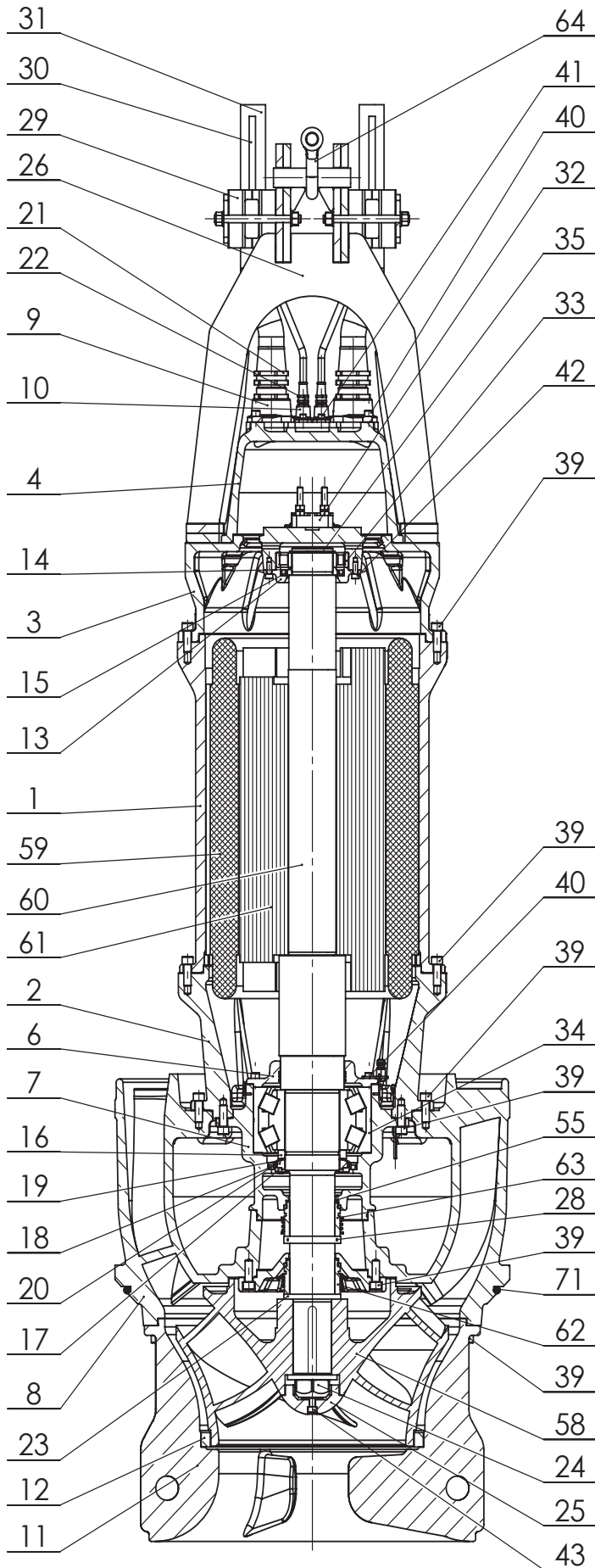


FZS PUMPS FOR COLUMN PIPE INSTALLATIONS

Assembly drawing



FZS PUMPS FOR COLUMN PIPE INSTALLATIONS

Assembly drawing

No.	Part name
1	Motor housing
2	Motor housing II
3	Upper bearing housing
4	Upper casing
5	Bearing cover
6	Lower mechanical seal cover
7	Bearing housing
8	Volute casing
9	Gland housing
10	Gland housing
11	Inlet diffuser
12	Sealing ring
13	Upper bearing cover
14	Wear ring
15	Sealing ring
16	Fixing ring
17	Thrower
18	Bearing nut
19	Bearing washer
20	sealing ring
21	Skindicht gland of power supplying cable
22	Skindicht gland of control cable
23	Mechanical seal washer
24	Nut
25	Cap
26	Pump lifting sling assembly
27	Spacing washer
28	Set screw
29	Cable clamp sub-assembly
30	Power supplying cable of control conduit
31	Power supplying cable of power cable
32	Clamp plates
33	Roller bearing
34	Angular roller bearing
35	Snap ring
36	Double side-nutted bolt

No.	Part name
37	Hexagon nut
38	Round nut
39	Socket head cap screw M16x45
40	Socket head cap screw M12x30
41	Socket head cap screw M8x20
42	Socket head cap screw M10x20
43	Socket head cap screw M12x45
44	Cheese head screw
45	Conductometric probe
46	Conductometric probe
47	Prismatic key
48	Plug
49	Pin
50	Gasket
51	Threaded plug
52	Sealing ring
53	PT100 temperature sensor
54	PT100 temperature sensor
55	Screw
56	Conductometric probe bracket
57	Low hexagon nut
58	Diagonal bracket
59	Stator
60	Motor shaft
61	Rotor of the motor
62	Mechanical seal
63	Mechanical seal
64	Shackle
65	Cable fixing screw
66	Nut
67	Flat washer
68	Clamp sub-assembly
69	Cable insert
70	Lock ring Z
71	O-ring
72	Fixing ring