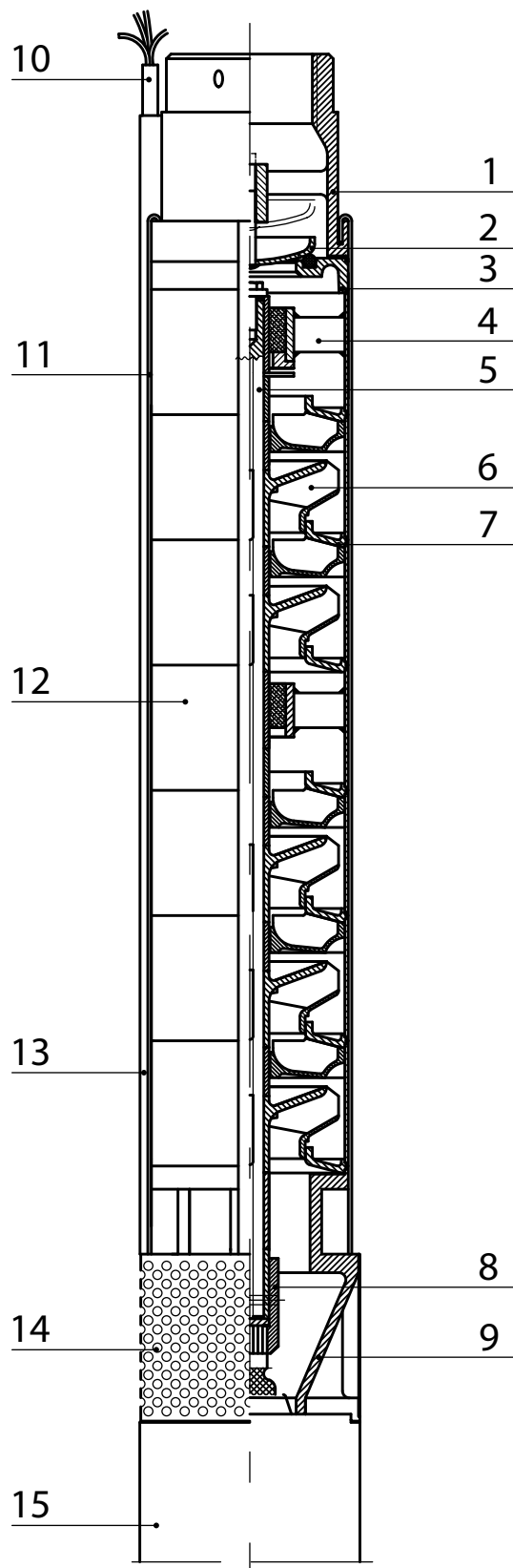


*GAB.2, GAB.4, GAB.5*



- |                              |                       |
|------------------------------|-----------------------|
| 1 - Discharge casing         | 9 - Suction casing    |
| 2 - Non-return valve head    | 10 - Feeder cable     |
| 3 - Non-return valve housing | 11 - Connecting band  |
| 4 - Bearing housing          | 12 - Middle casing    |
| 5 - Pump shaft               | 13 - Cable duct       |
| 6 - Impeller                 | 14 - Perforated sheet |
| 7 - Stator                   | 15 - Motor            |
| 8 - Coupling                 |                       |