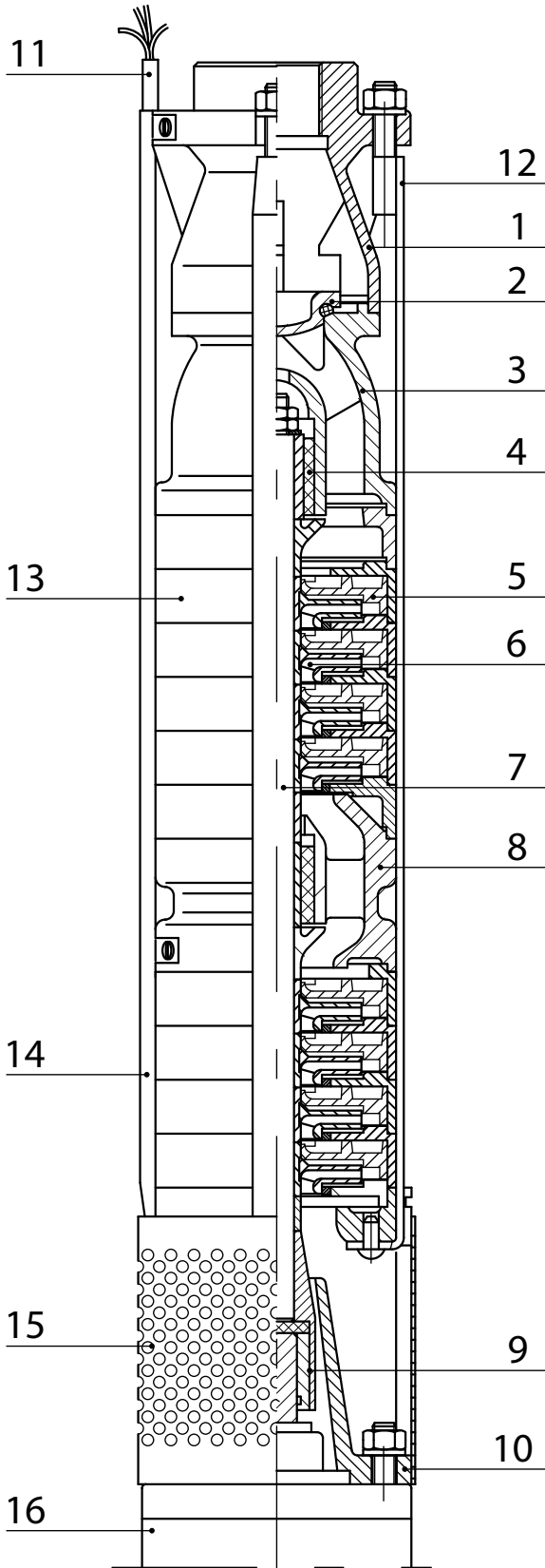
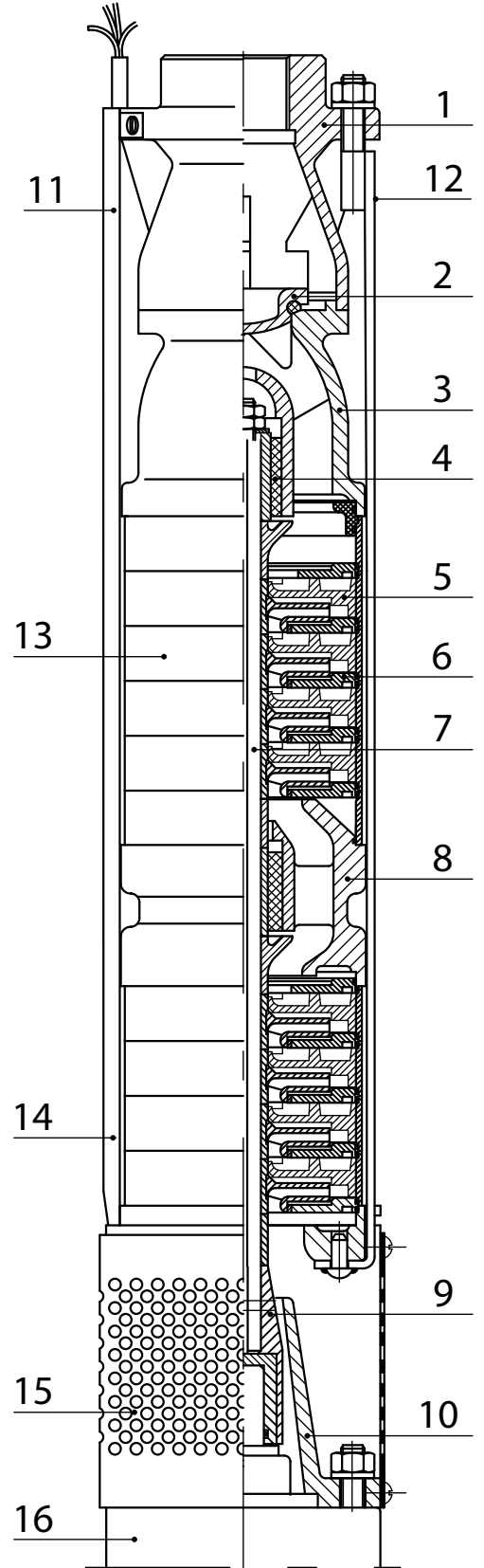


GB.0, GBA.1, GBA.2



- | | |
|-----------------------------|----------------------|
| 1. Discharge casing | 9. Coupling |
| 2. Non-return valve | 10. Suction casing |
| 3. Non-return valve housing | 11. Feeder cable |
| 4. Metal and rubber bearing | 12. Connecting band |
| 5. Stator | 13. Middle casing |
| 6. Impeller | 14. Cable duct |
| 7. Shaft | 15. Perforated sheet |
| 8. Bearing housing | 16. Motor |

GBC.0, GBC.1, GBC.2



- | | |
|-----------------------------|----------------------|
| 1. Discharge casing | 9. Coupling |
| 2. Non-return valve | 10. Suction casing |
| 3. Non-return valve housing | 11. Feeder cable |
| 4. Metal and rubber bearing | 12. Connecting band |
| 5. Stator | 13. Middle casing |
| 6. Impeller | 14. Cable duct |
| 7. Shaft | 15. Perforated sheet |
| 8. Bearing housing | 16. Motor |