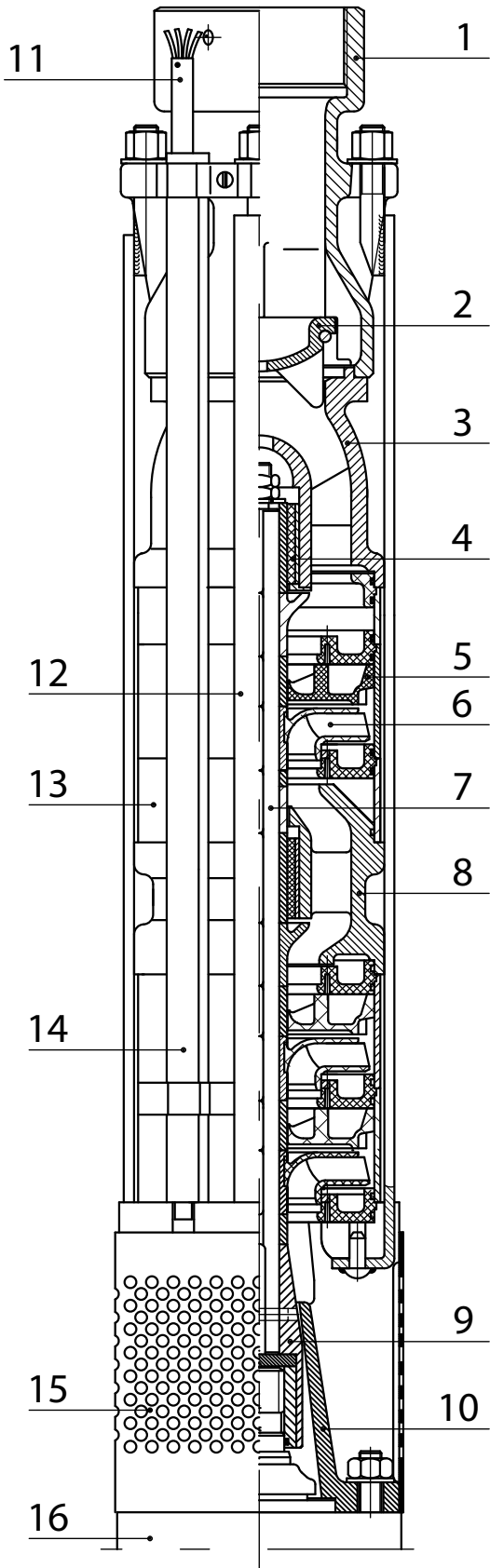
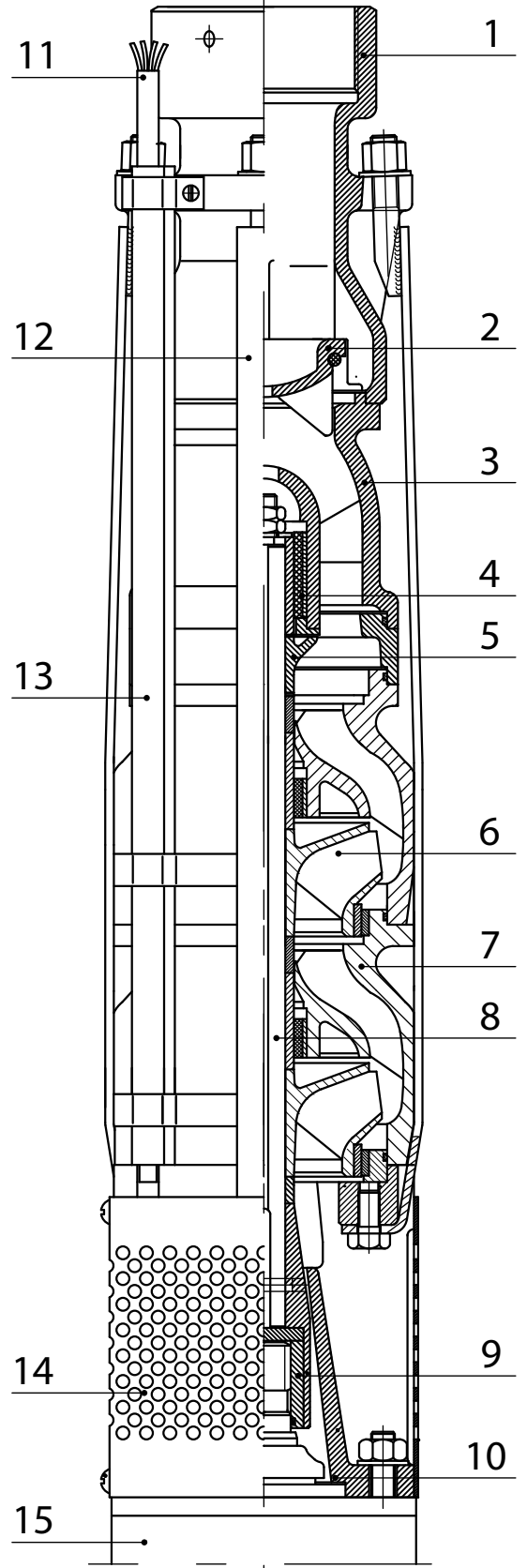


GBC.3



- | | |
|-----------------------------|----------------------|
| 1. Discharge casing | 9. Coupling |
| 2. Non-return valve | 10. Suction casing |
| 3. Non-return valve housing | 11. Feeder cable |
| 4. Metal and rubber bearing | 12. Connecting band |
| 5. Stator | 13. Middle casing |
| 6. Impeller | 14. Cable duct |
| 7. Shaft | 15. Perforated sheet |
| 8. Bearing housing | 16. Motor |

GBC.4, GBC.5



- | | |
|-----------------------------|----------------------|
| 1. Discharge casing | 9. Coupling |
| 2. Non-return valve | 10. Suction casing |
| 3. Non-return valve housing | 11. Feeder cable |
| 4. Metal and rubber bearing | 12. Connecting band |
| 5. Antisand shell | 13. Cable duct |
| 6. Impeller | 14. Perforated sheet |
| 7. Middle casing | 15. Motor |
| 8. Shaft | |