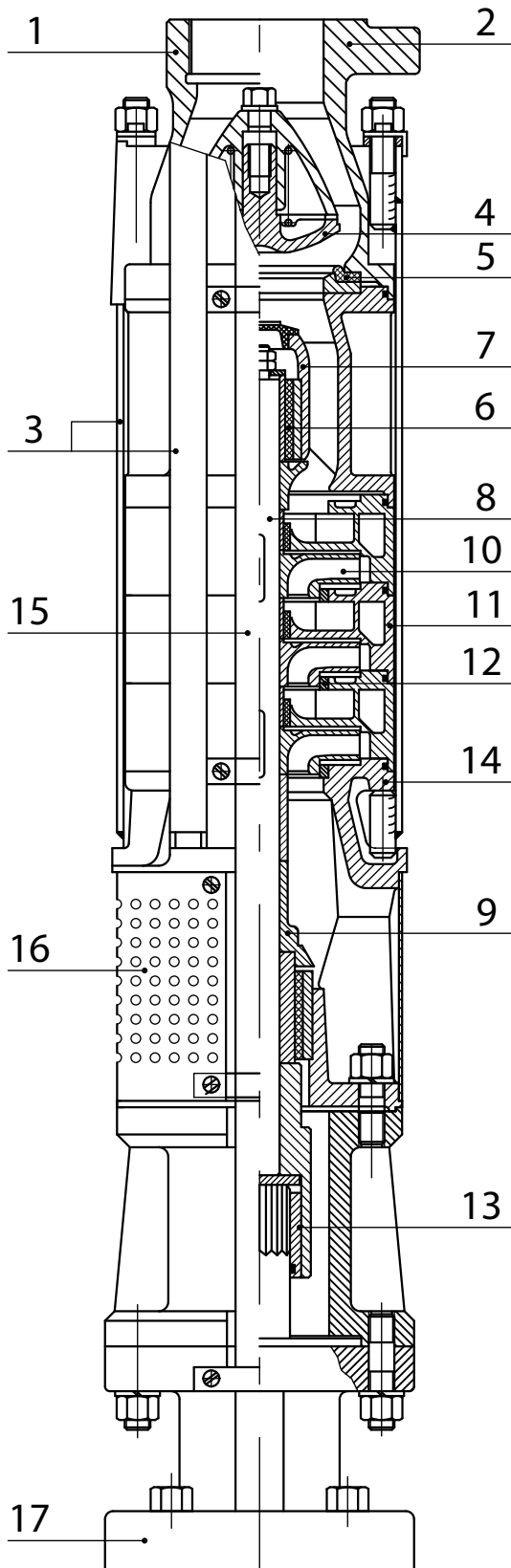
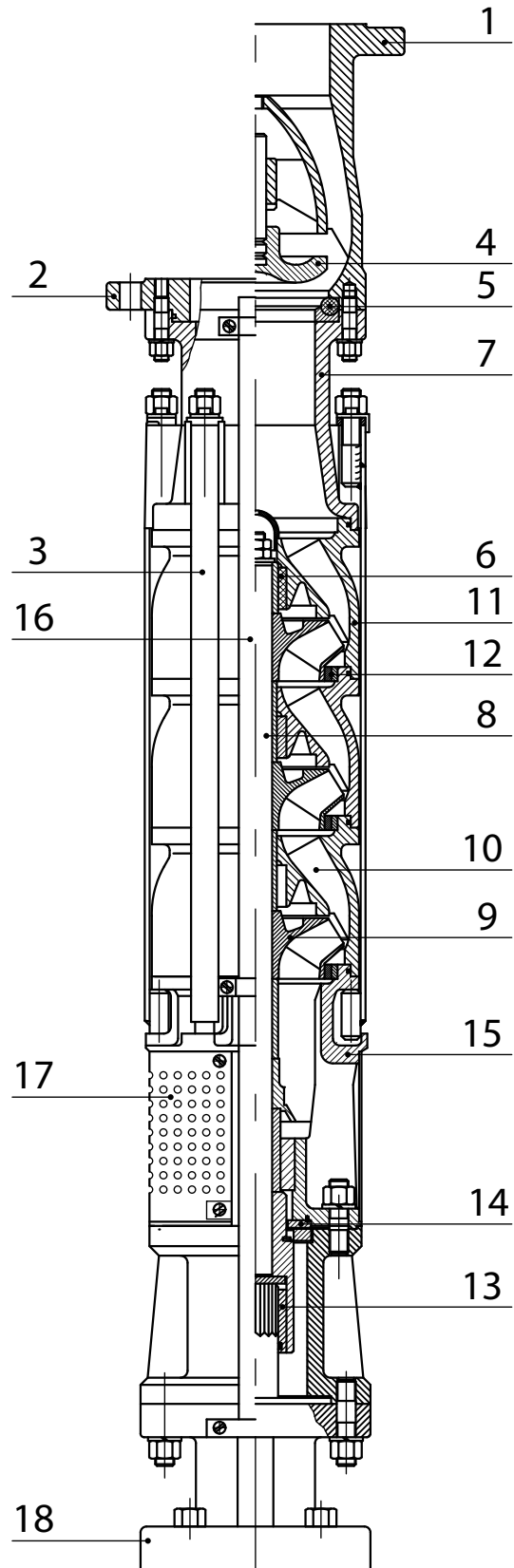


GC.0, GC.A2, GCA.3, GCA.5



- |  |                        |
|--|------------------------|
| 1. Discharge casing with threaded connection | 10. Impeller           |
| 2. Discharge casing with flange connection   | 11. Middle casing      |
| 3. Connecting band                           | 12. Wear sealing rings |
| 4. Non-return valve head                     | 13. Coupling           |
| 5. Non-return valve seal                     | 14. Suction casing     |
| 6. Metal and rubber bearing                  | 15. Cable duct         |
| 7. Bearing housing                           | 16. Perforated sheet   |
| 8. Shaft                                     | 17. Motor              |
| 9. Antisand shell                            |                        |

GCA.6, GCA.7, GCA.8



- |  |                        |
|--|------------------------|
| 1. Discharge casing with flange connection           | 10. Impeller           |
| 2. Flange (a configuration without non-return valve) | 11. Middle casing      |
| 3. Connecting band                                   | 12. Wear sealing rings |
| 4. Non-return valve head                             | 13. Coupling           |
| 5. Non-return valve seal                             | 14. Th rust bearing    |
| 6. Metal and rubber bearing                          | 15. Suction casing     |
| 7. Valve housing                                     | 16. Cable duct         |
| 8. Shaft   | 17. Perforated sheet   |
| 9. Antisand shell                                    | 18. Motor              |