

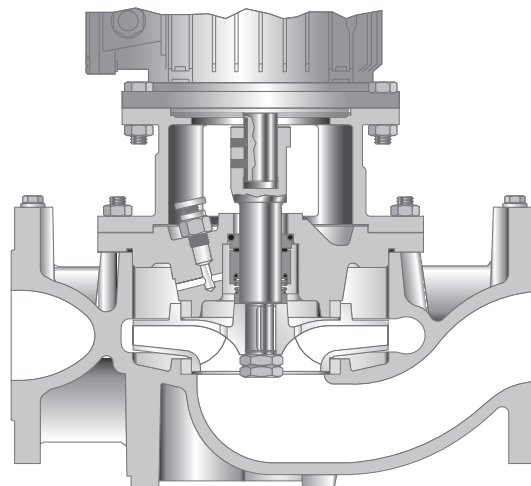
SINGLE-STAGE, CENTRIFUGAL PUMPS MVL TYPE

Construction

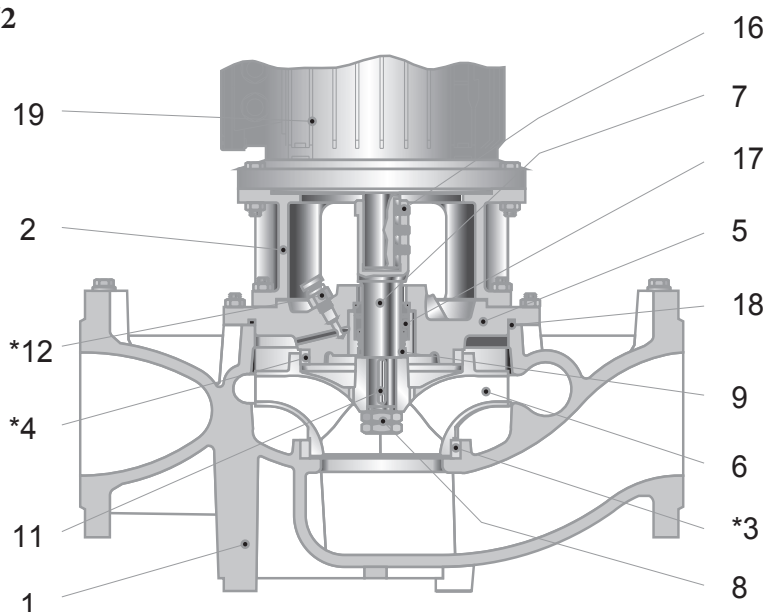
1	Pump casing
2	Motor connector
3*	Wear ring (Body)
4*	Wear ring (Gland body)
5	Gland body
6	Impeller
7	Pump shaft
8	Impeller nut
9	Distance sleeve
10	Rigid coupling
11	Impeller key
12*	Air vent
13	Allen screw
14	Allen screw
15	Washer
16	Coupling screw
17	Mechanical seal
18	O-Ring
19	Motor

(*) Option

W1



W2



W3

