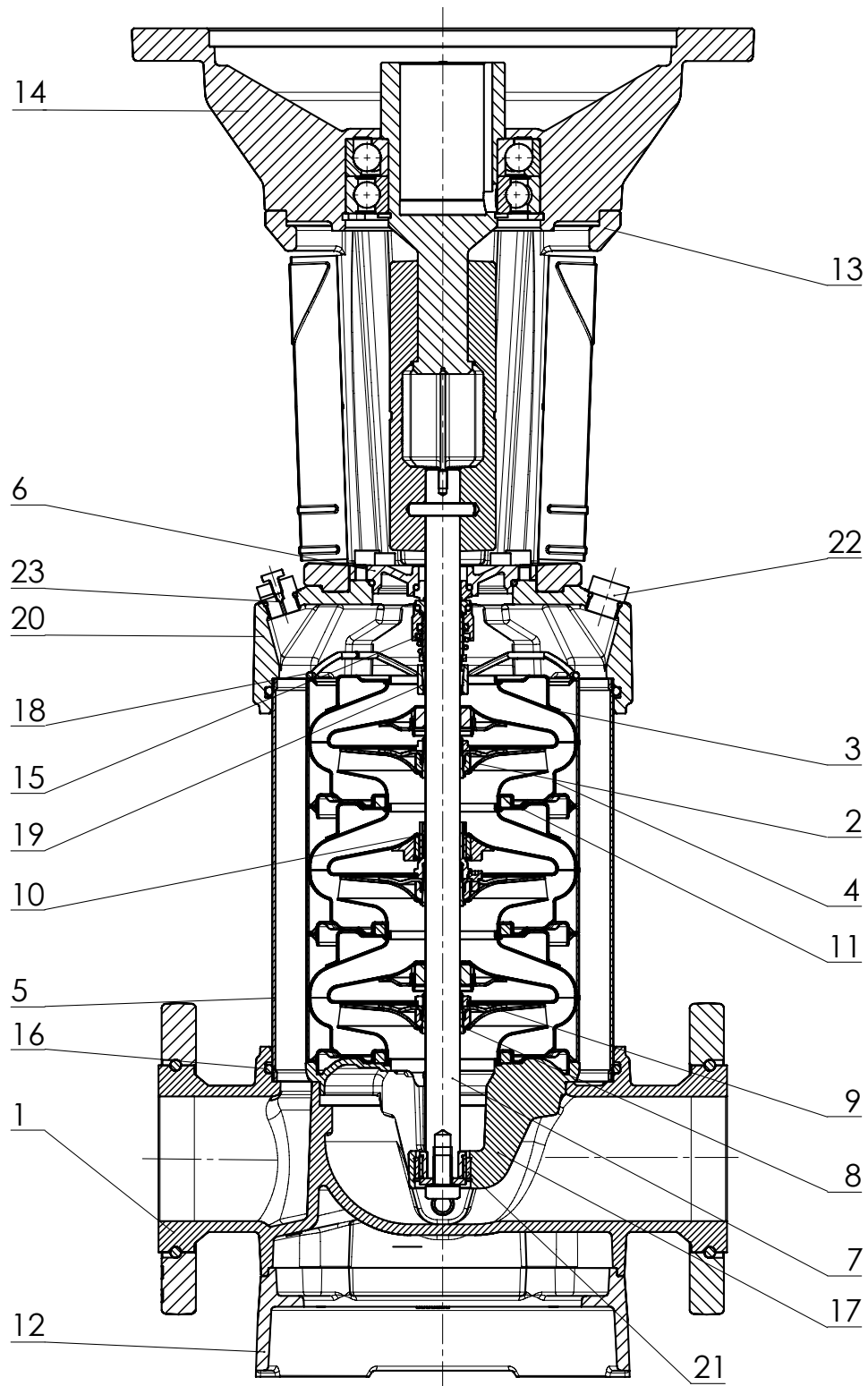


GENERAL DATA

Construction of OPF.6-9 pumps



- | | | |
|-------------------|----------------------------------|-------------------------|
| 1. Lower casing | 9. Sleeve | 17. Suction casing |
| 2. Impeller | 10. Nut with intermediate sleeve | 18. Upper cover |
| 3. Stator | 11. Inter-stage sealing | 19. Seal stopper sleeve |
| 4. Stator flange | 12. Pump base | 20. Upper casing |
| 5. Jacket | 13. Motor support casing | 21. Sliding bearing |
| 6. Sealing casing | 14. Motor reduction flange | 22. Plug |
| 7. Pump shaft | 15. Mechanical sealing | 23. Air vent |
| 8. Split sleeve | 16. O-ring | |