



## Stainless manhole cover with an isolation



**HYDRO-VACUUM**<sup>®</sup> S.A.

1862

INNOVATION - EXPERIENCE - CREDIBILITY

WE HAVE BEEN WITH OUR CLIENTS SINCE 1862

## Description

Manholes manufactured by Hydro-Vacuum S.A. are made of 1.5 mm thick stainless steel, which ensures their proper strength and resistance to deformation during assembly. A layer of thermal insulation placed in the manhole minimizes the effects of extreme weather conditions, e.g. freezing of the manhole.

The use of gaskets on the edges of the manhole, which are pressed properly after closing, helps to maintain waterproofness and odourtightness.

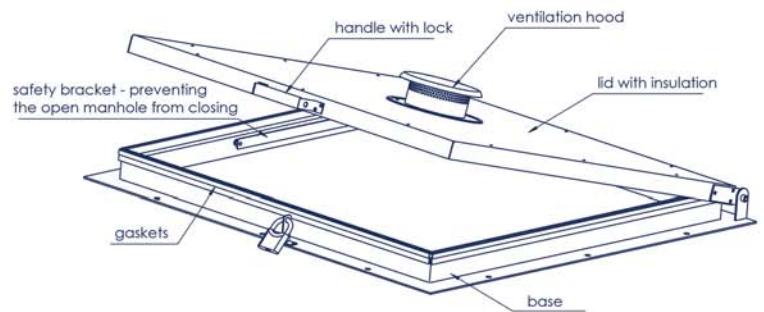
**POLISH  
PRODUCT**

All components as well as the whole manhole are assembled in Hydro-Vacuum S.A. mostly from elements manufactured by Hydro-Vacuum S.A.; remaining materials (screws, nuts etc.), are manufactured locally.

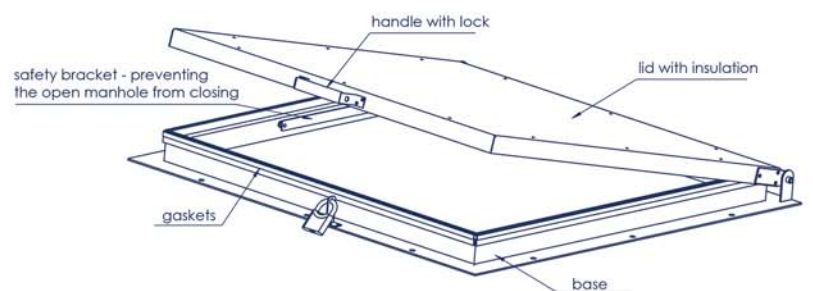
## Advantages of WP manholes

- ▶ Opening safety
- ▶ Stainless steel profile with wall anchor for concreting
- ▶ Use of additional ventilation in the form of a vapourhood
- ▶ Lid with insulation
- ▶ In addition to standard manholes, they can also be manufactured according to individual customer requirements
- ▶ In case of serial orders there is a possibility of adjusting the manholes to customer demands

## Types of manholes



Manhole with a chimney



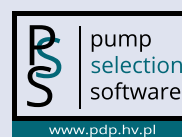
Manhole without a chimney

+48 56 45 07 437



ul. Droga Jeziorna 8  
86-303 Grudziądz, Polska

www.hv.pl



The presented data is informative only and does not constitute an offer

Guaranteed satisfaction with the use of our products.

www.hv.pl

